

# DP112K

Air dehumidifiers for industrial processes



Many configurations

Casing in stainless steel double skin

High performance desiccant rotor

Simple maintenance

High efficiency fans with EC motor

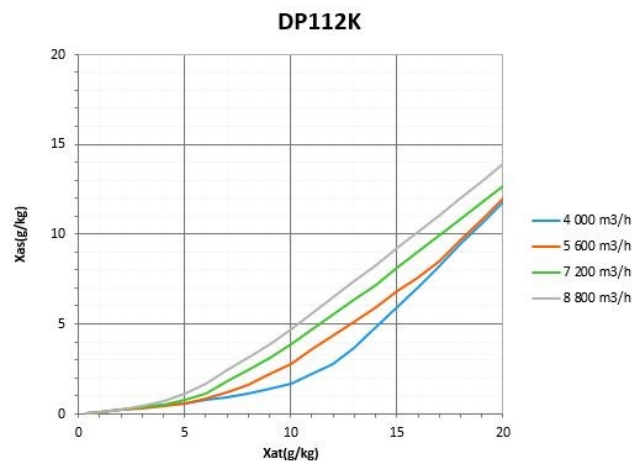
Programmable logic controller (PLC) with integrated controls (humidity, temperature and air flow)



## DP112K technical specifications

Dry air flow range :	from <b>4000 to 8800 m<sup>3</sup>/h</b>
Wet air flow :	<b>2475 m<sup>3</sup>/h</b>
Electrical power :	<b>74,25 kW</b>

## Capacity diagram



Example :

T\_AT = Process air temperature

T\_AS = Dry air temperature

DP112K :  $T_{AS} = T_e + \Delta x \cdot 3,7 \pm 26\,400 / Q_v$

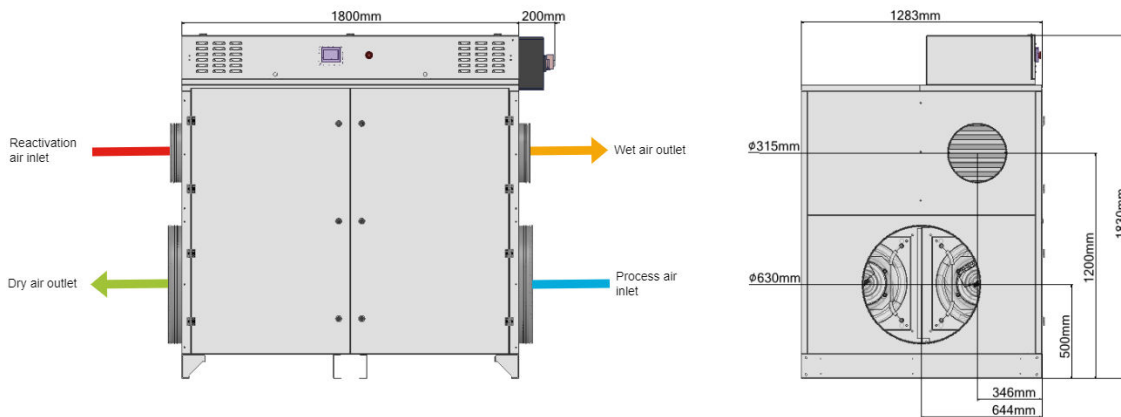
# References

DP112	K	G	5	0	0	B	0	G
<b>Range</b> DP : Product type 112 : 1050x200mm	<b>Reactivation power</b> K : 74,25kW	<b>Process air fan configuration</b> 0 : Without AF F : 2,5kW G : 5,0kW U : 2 x 2,5kW V : 2 x 5,0kW	<b>Filtration configuration</b> 0 : G4 React 1 : F8 React 2 : F9 React 3 : G4/F8 React 4 : G4/F9 React 5 : G4 6 : F8 7 : F9 8 : G4/F8 9 : G4/F9	<b>Electrical configuration</b> 0 : Basic 1 : 4th PIDc* 2 : 5th PIDc* 5 : Basic + PF 6 : 4th PIDc* + FP 7 : 5th PIDc* + FP	<b>Blocks configuration</b> 0 : Without blocks M : Upstream block V : Downstream block B : Up and downstream blocks	<b>Power supply mode</b> B : 3P + N + T C : 3P + T	<b>Reactivation utility</b> 0 : Electricity 2 : Steam 4 : Gas 6 : Hot water	<b>Easement</b> G : Left D : Right

AF : Air fan  
 PIDc : Configurable PID control  
 FP : Filter pressure switch  
 Basic : 3 PID control (humidity, process & reactivation air flows)

# Dimensions

Left site



Right side

