

DP042B

Air dehumidifiers for industrial processes



Many configurations

Casing in stainless steel double skin

High performance desiccant rotor

Simple maintenance

High efficiency fans with EC motor

Programmable logic controller (PLC) with integrated controls (humidity, temperature and air flow)



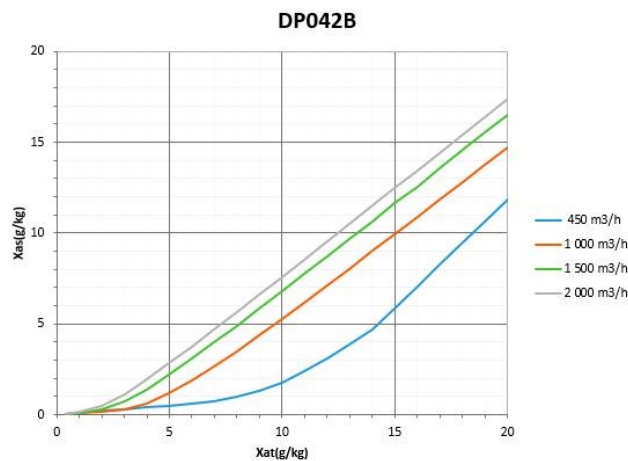
DP042B technical specifications

Dry air flow range : from **450 to 2000 m³/h**

Wet air flow : **225 m³/h**

Electrical power : **6,75 kW**

Capacity diagram



Example :

T_AT = Process air temperature

T_AS = Dry air temperature

DP042B : $T_{AS} = T_e + \Delta x * 3,3 \pm 3000 / Q_v$

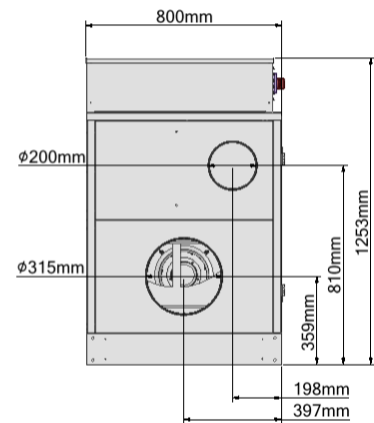
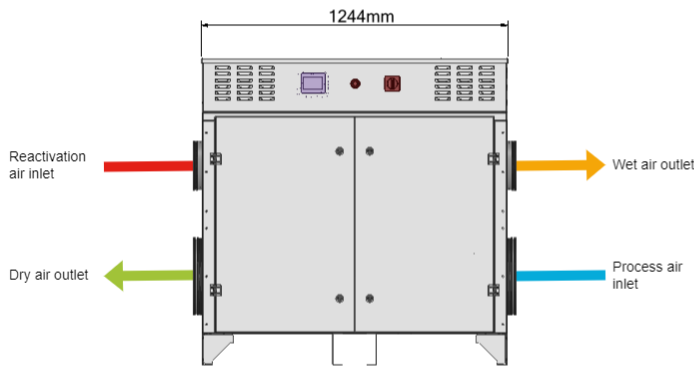
References

DP042	B	C	5	0	0	B	0	G
Range <i>DP : Product type</i> 042 : 450x200mm	Reactivation power B : 6,5kW	Process air fan configuration 0 : Without AF B : 0,3kW C : 0,5kW D : 1,0kW Q : 2 x 0,3kW R : 2 x 0,5kW S : 2 x 1,0kW	Filtration configuration 0 : G4 React 1 : F8 React 2 : F9 React 3 : G4/F8 React 4 : G4/F9 React 5 : G4 6 : F8 7 : F9 8 : G4/F8 9 : G4/F9	Electrical configuration 0 : Basic 1 : 4th PIDc* 2 : 5th PIDc* 5 : Basic + PF 6 : 4th PIDc* + FP 7 : 5th PIDc* + FP	Blocks configuration 0 : Without blocks M : Upstream block V : Downstream block B : Up and downstream blocks	Power supply mode B : 3P + N + T C : 3P + T	Reactivation utility 0 : Electricity 2 : Steam 4 : Gas 6 : Hot water	Easement G : Left D : Right

AF : Air fan
PIDc : Configurable PID control
FP : Filter pressure switch
Basic : 3 PID control (humidity, process & reactivation air flows)

Dimensions

Left site



Right side

